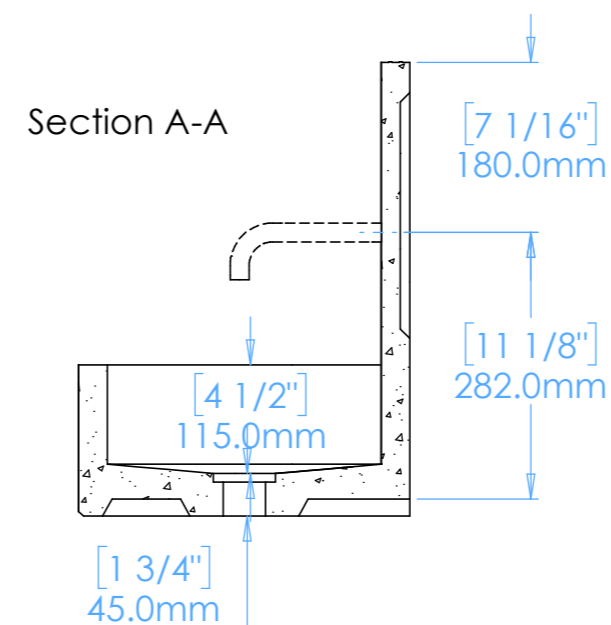
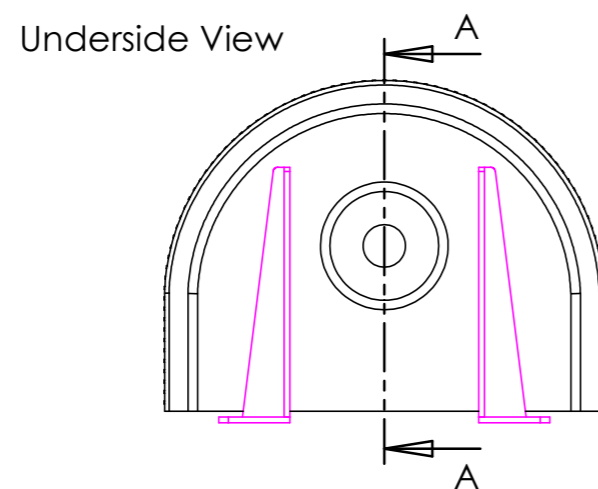
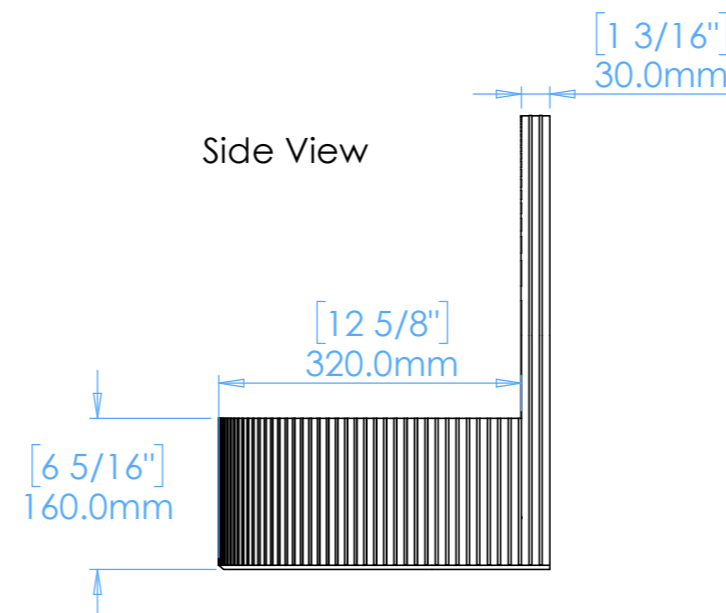
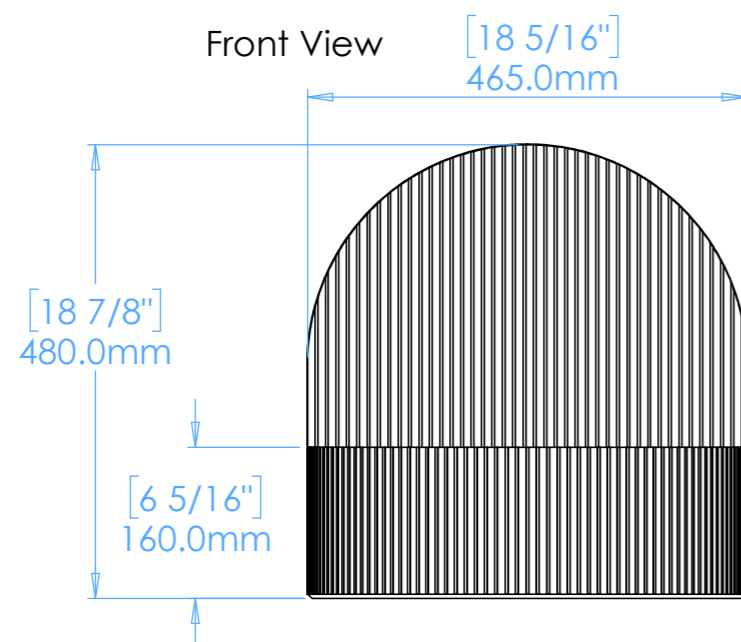
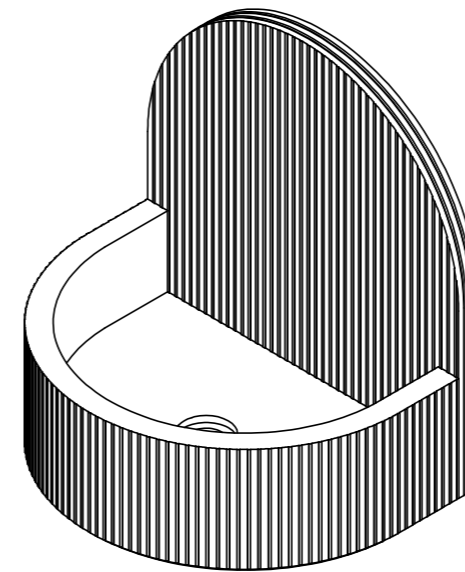
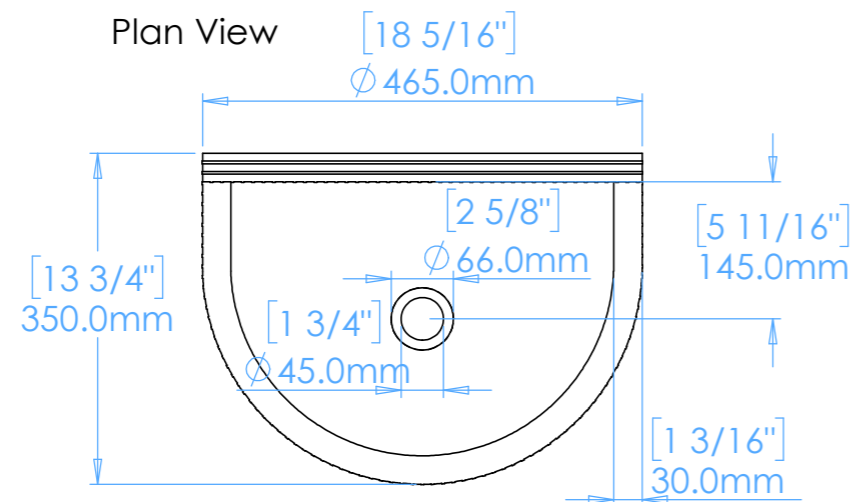


# Elma A1



## NOTES

Unless otherwise specified, dimensions are in millimeters.

Kast take no responsibility for any dimensions obtained by scaling from this drawing.

## DIMENSIONS:

L465mm (18 5/16inches)  
W350mm (13 3/4inches)  
H480mm (18 7/8inches)

CODE:	EL.A1
WEIGHT:	35kg / 77lbs
BRACKETS:	Included
DRAWN BY:	DB
TOLERANCE:	+/- 3mm