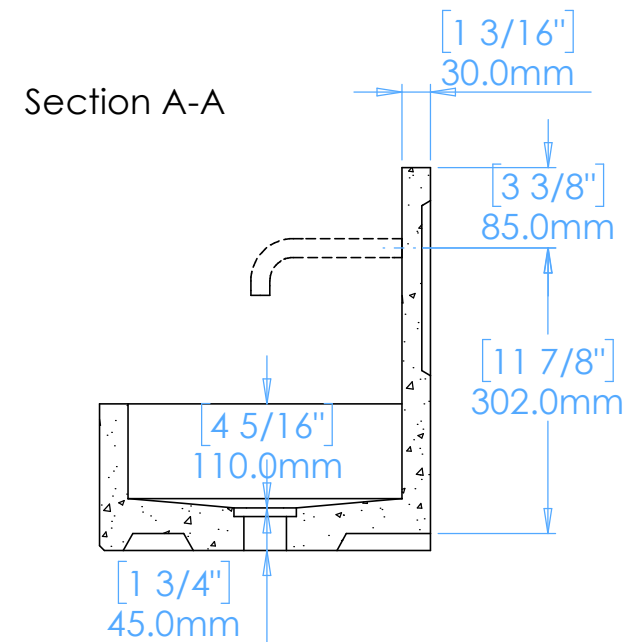
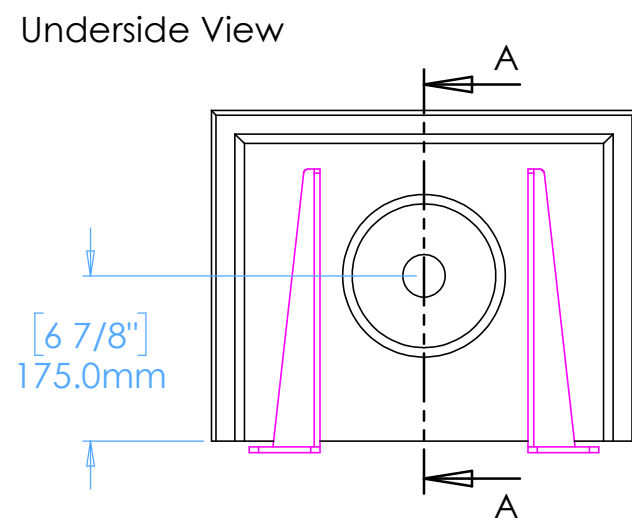
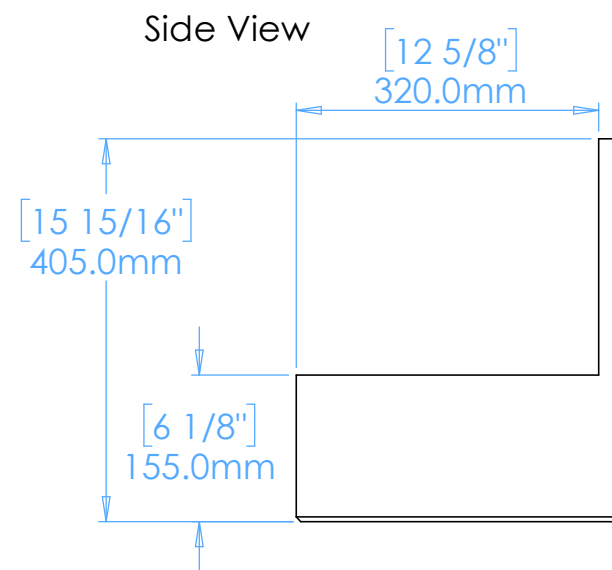
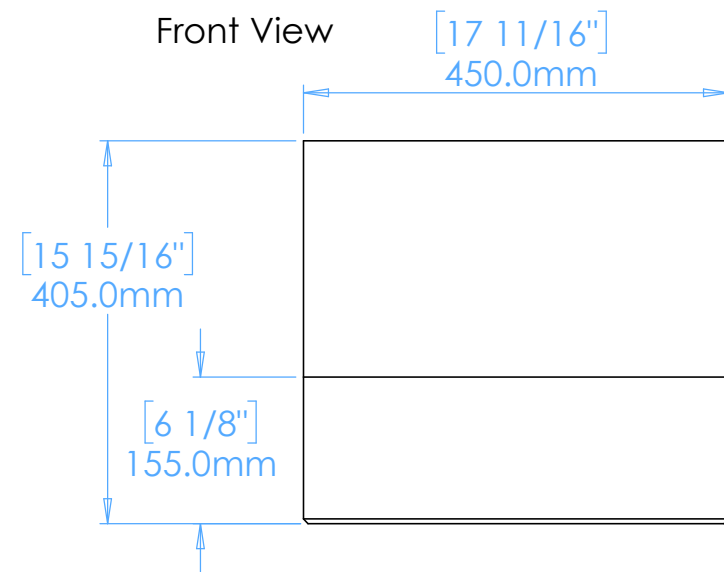
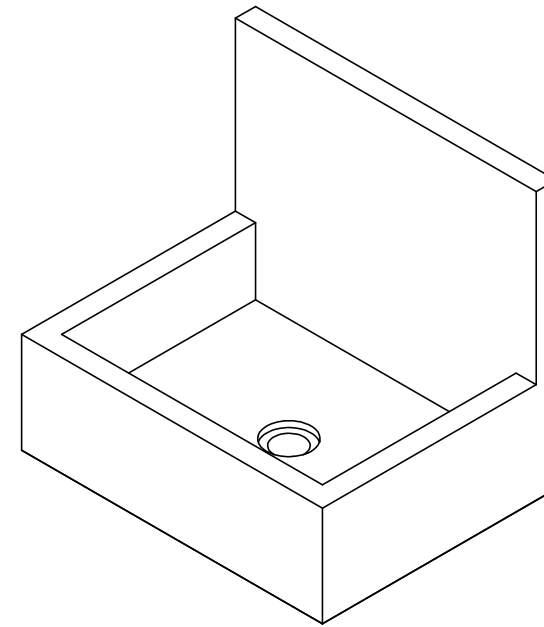
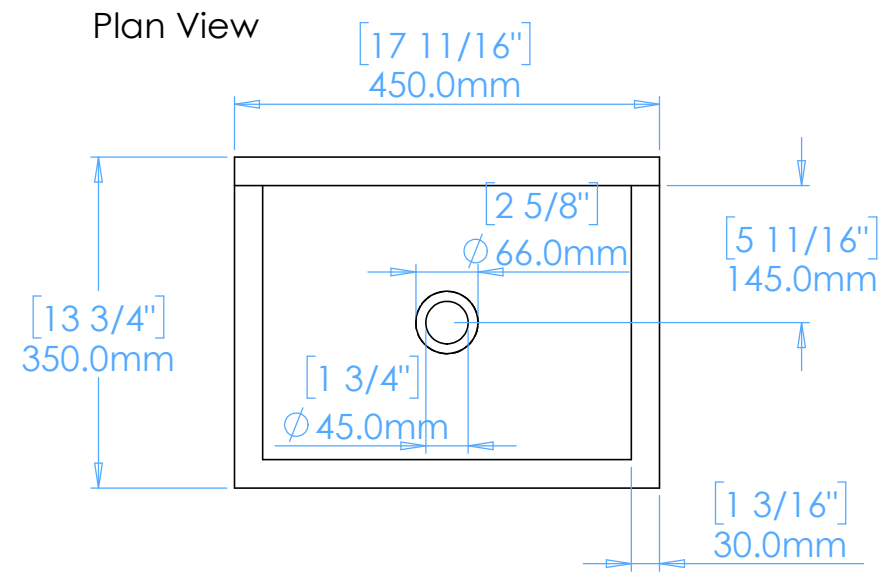


# Kern A1



## NOTES

Unless otherwise specified, dimensions are in millimeters.

Kast take no responsibility for any dimensions obtained by scaling from this drawing.

## DIMENSIONS:

L450mm (17 11/16inches)  
W350mm (13 3/4inches)  
H405mm (15 15/16inches)

CODE:	K.A1
WEIGHT:	35kg / 78lbs
BRACKETS:	Included
DRAWN BY:	DB
TOLERANCE:	+/- 3mm