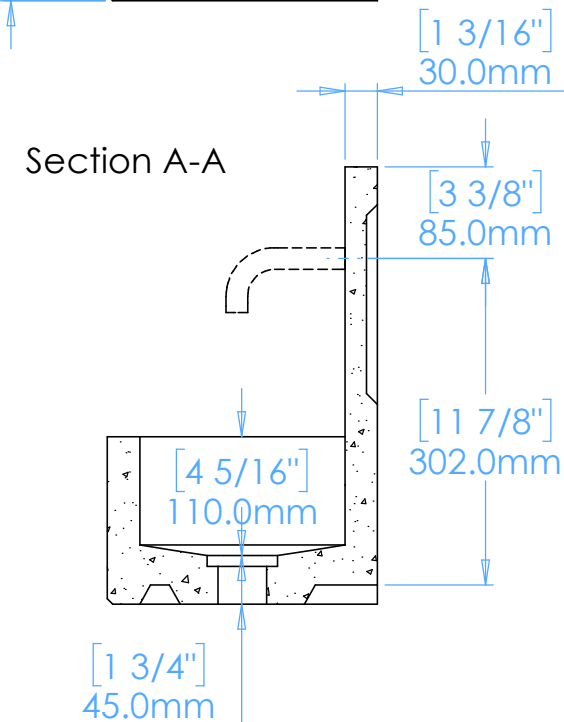
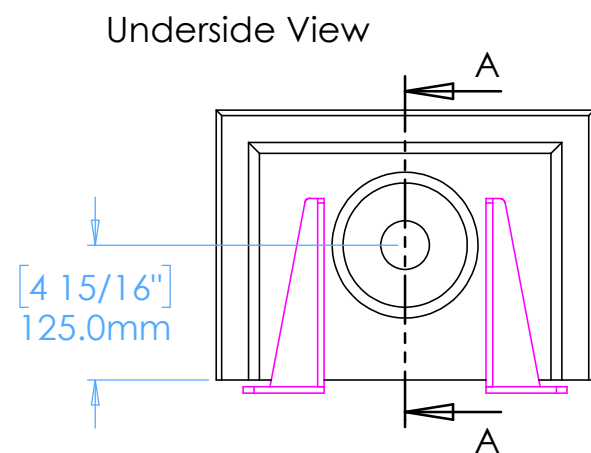
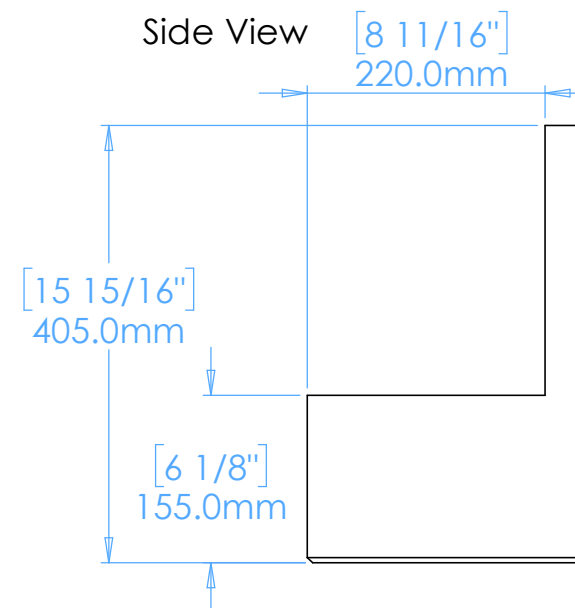
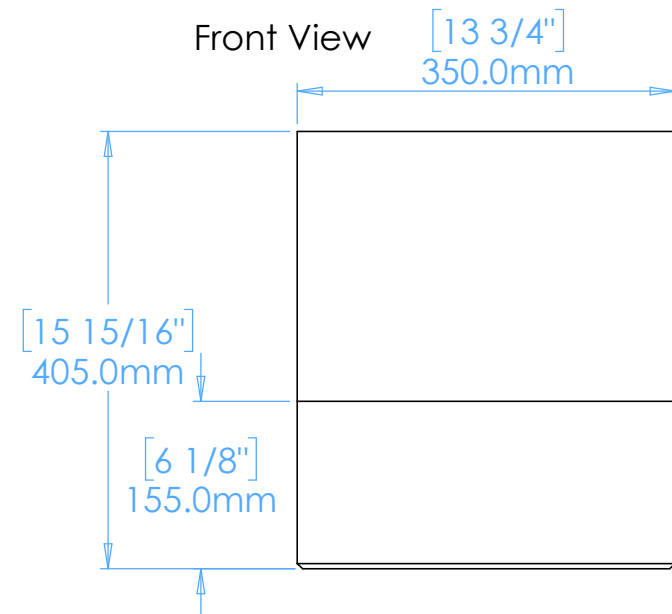
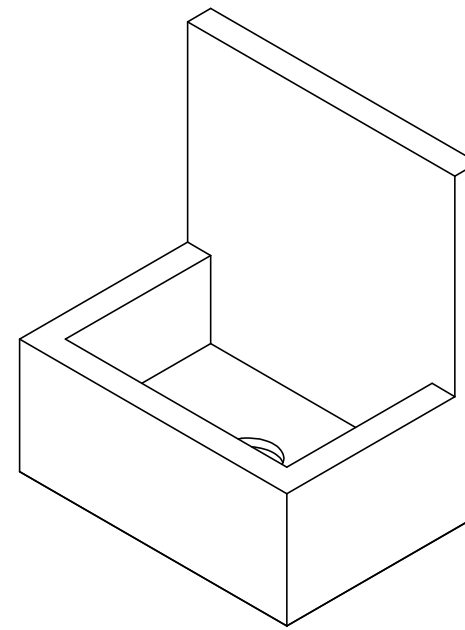
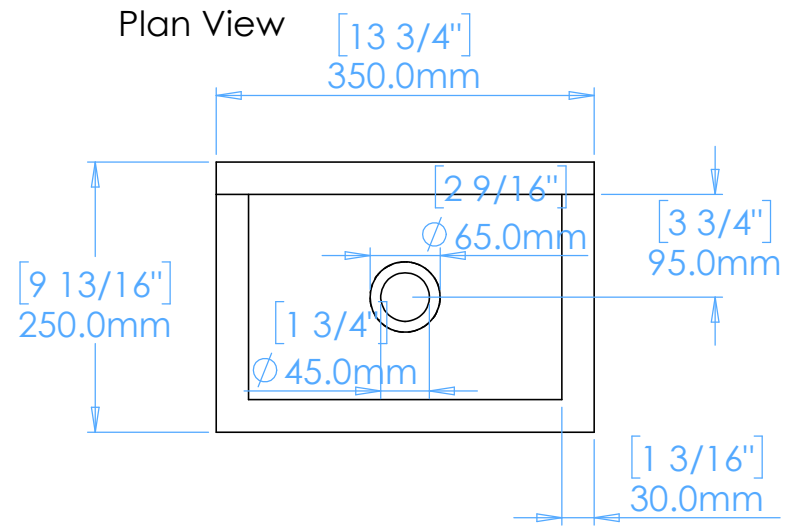


Kern Mini A1



NOTES

Unless otherwise specified, dimensions are in millimeters.

Kast take no responsibility for any dimensions obtained by scaling from this drawing.

DIMENSIONS:

L350mm (13 3/4inches)
W250mm (9 13/16inches)
H405mm (15 15/16inches)

CODE:	KM.A1
WEIGHT:	24kg / 53lbs
BRACKETS:	Included
DRAWN BY:	DB
TOLERANCE:	+/- 3mm