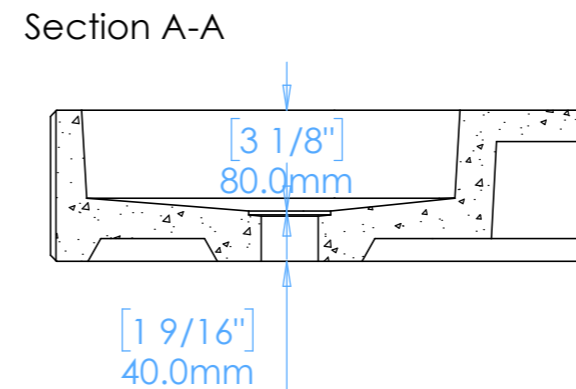
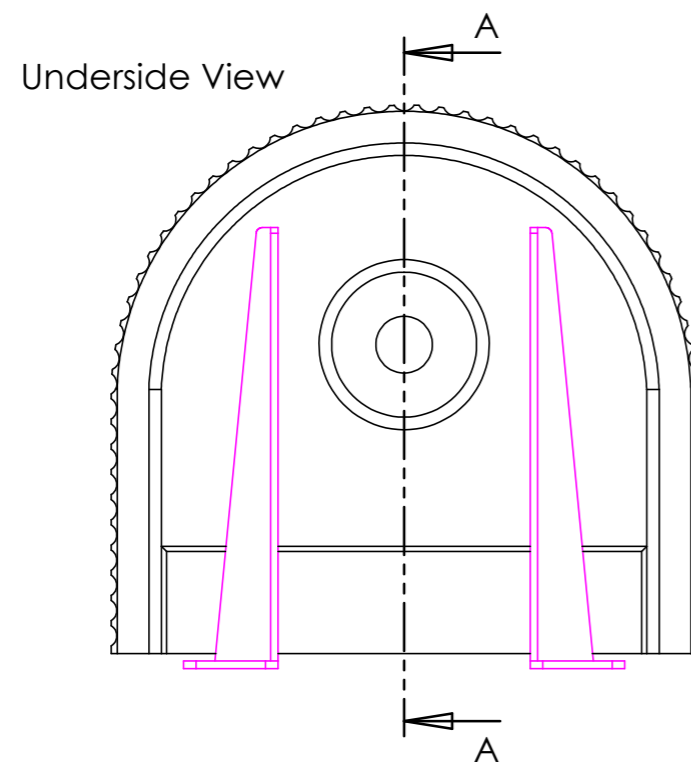
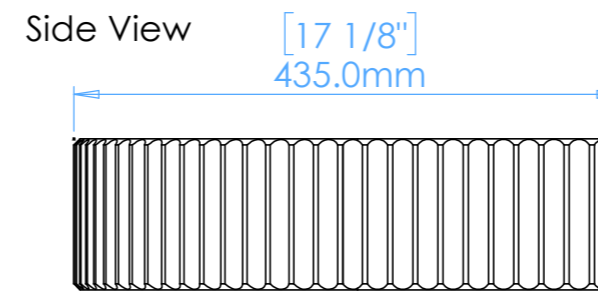
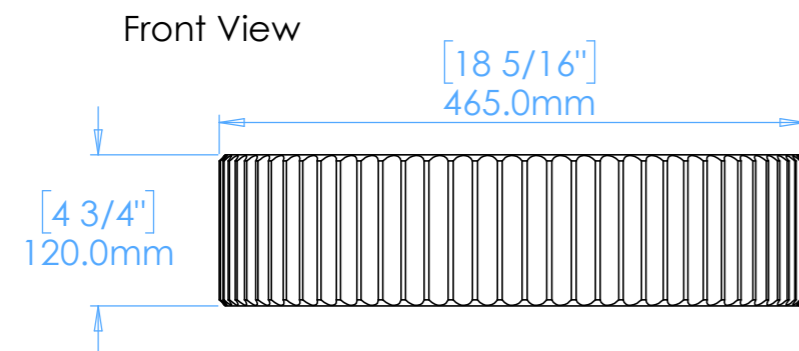
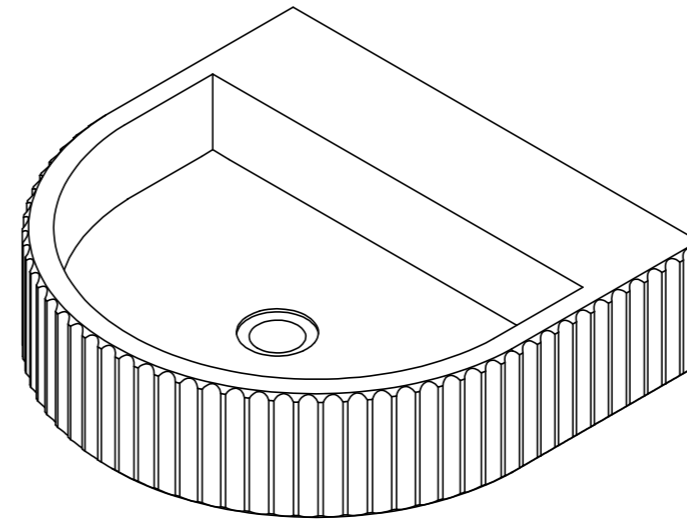
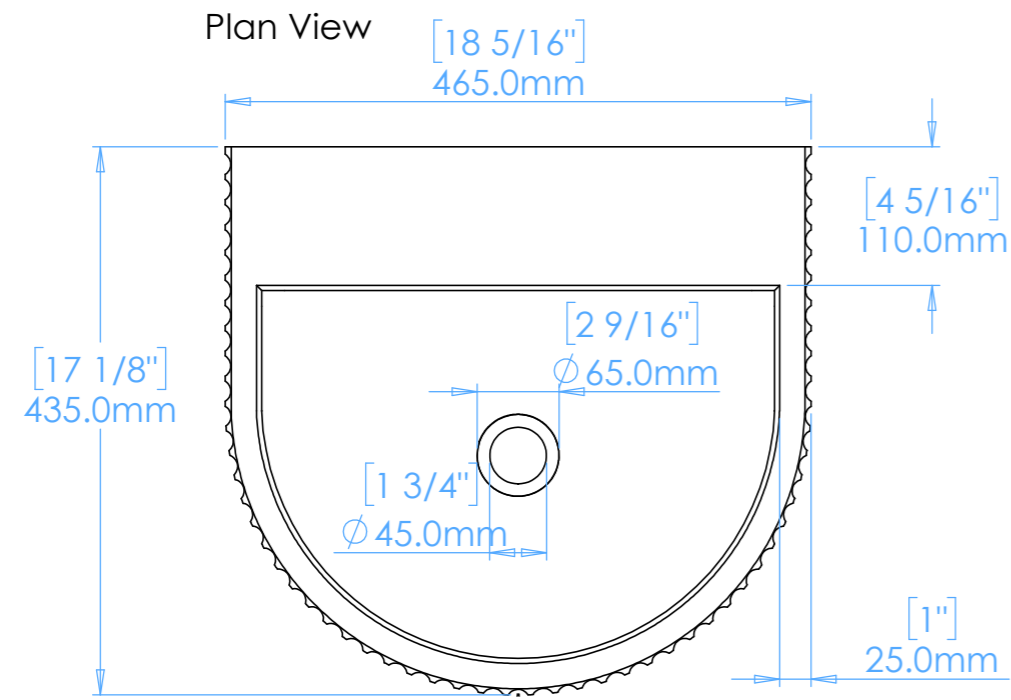


# Luna B1



## NOTES

Unless otherwise specified, dimensions are in millimeters.

Kast take no responsibility for any dimensions obtained by scaling from this drawing.

### DIMENSIONS:

L465mm (18 5/16inches)  
W435mm (14 3/16inches)  
H120mm (4 3/4inches)

CODE:	LN.B1
WEIGHT:	23kg / 50lbs
BRACKETS:	Included
DRAWN BY:	DB
TOLERANCE:	+/- 3mm