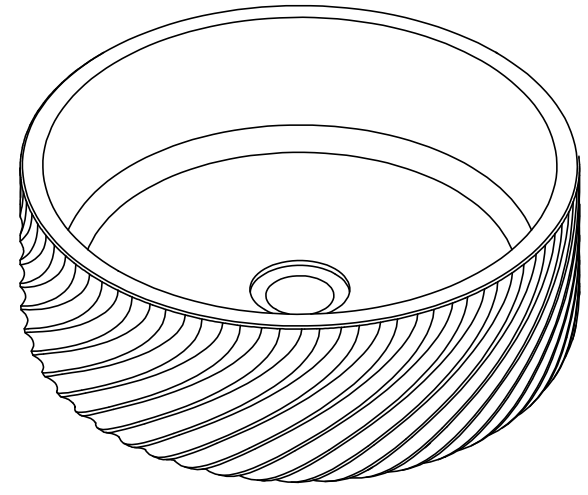
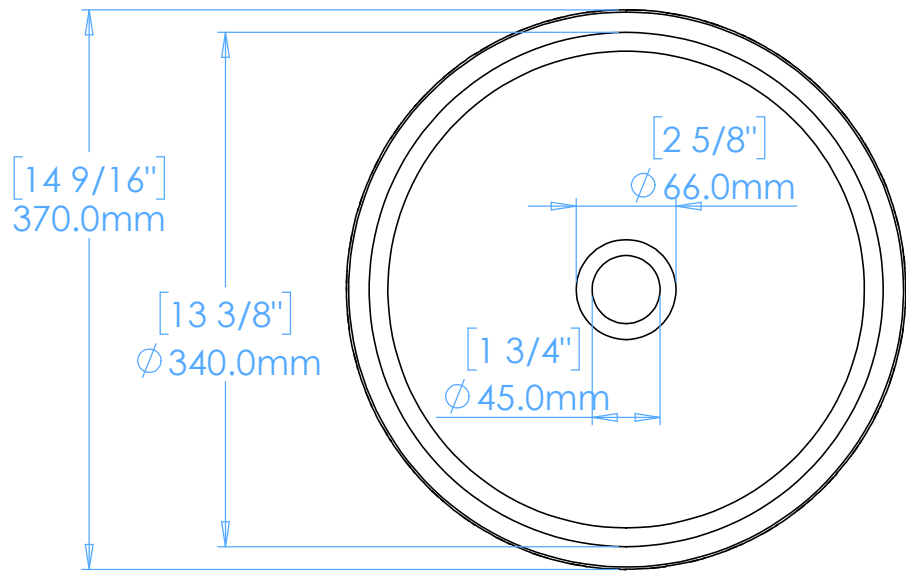
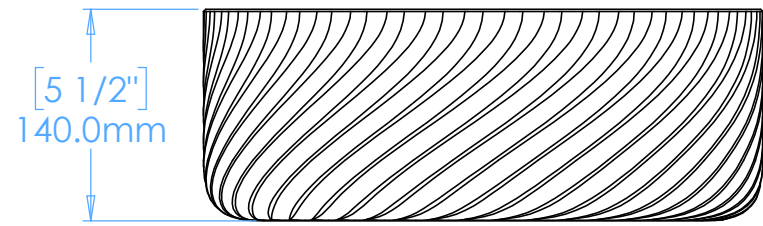


# Mila A1

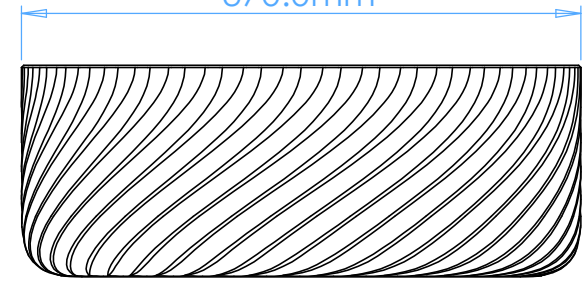
Plan View



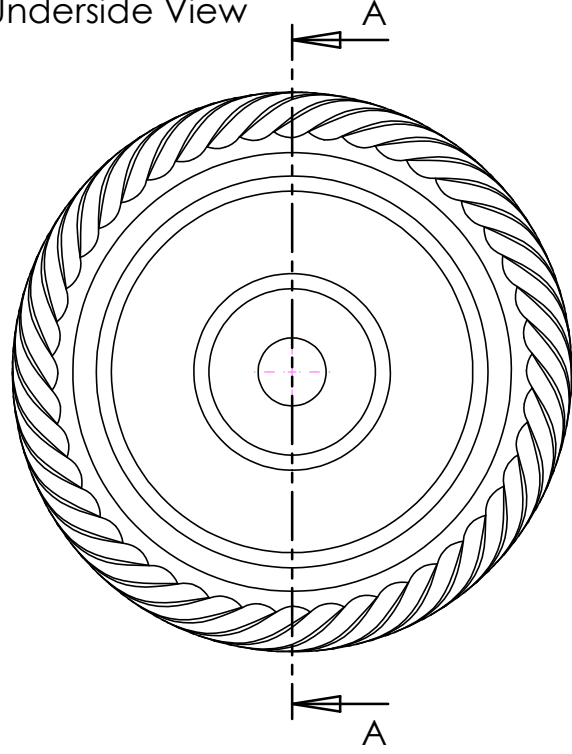
Front View



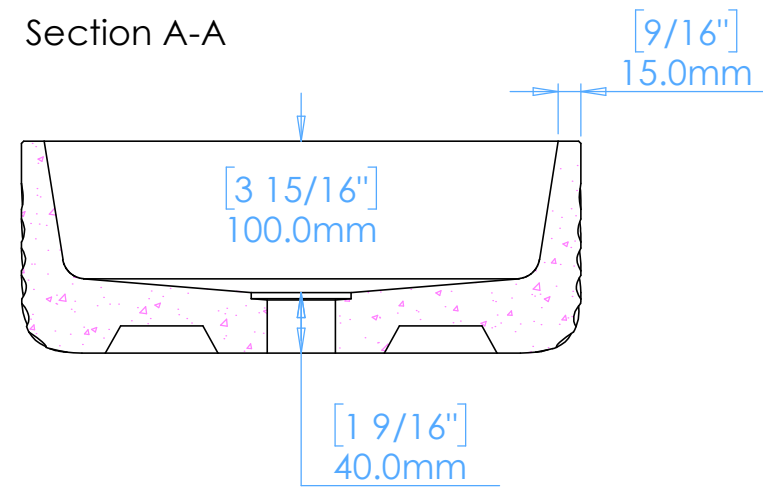
Side View



Underside View



Section A-A



NOTES

Unless otherwise specified, dimensions are in millimeters.  
Kast take no responsibility for any dimensions obtained by scaling from this drawing.

DIMENSIONS:

D370mm (14 9/16inches)  
H140 mm (5 1/2inches)

CODE:	ML.A1
WEIGHT:	16kg / 35lbs
BRACKETS:	Not Included
DRAWN BY:	DB
TOLERANCE:	+/- 3mm