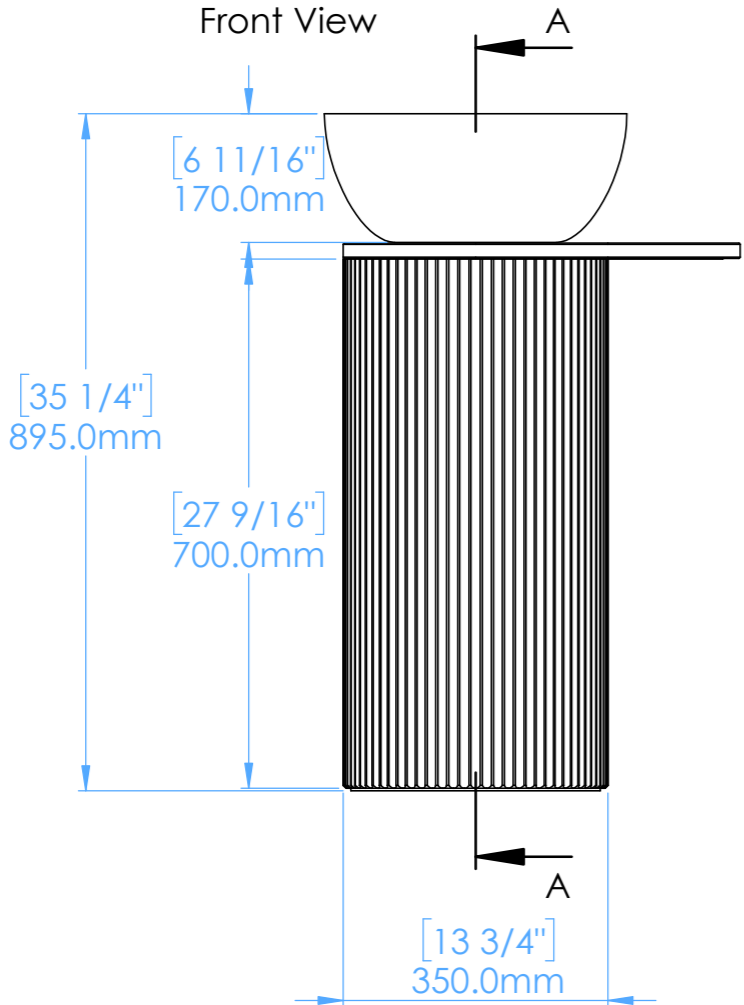
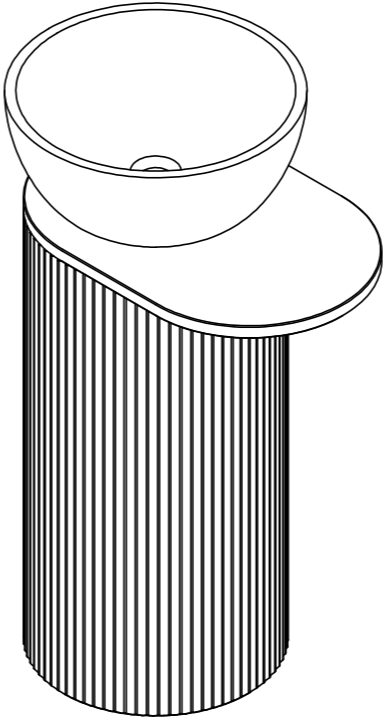
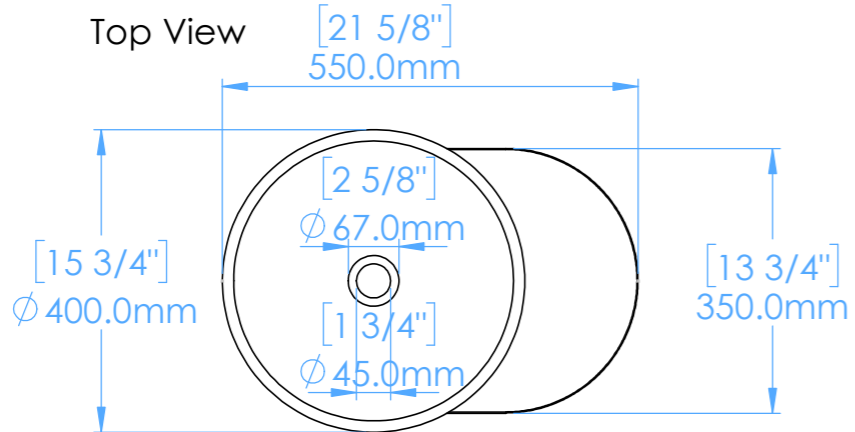


Orme A1

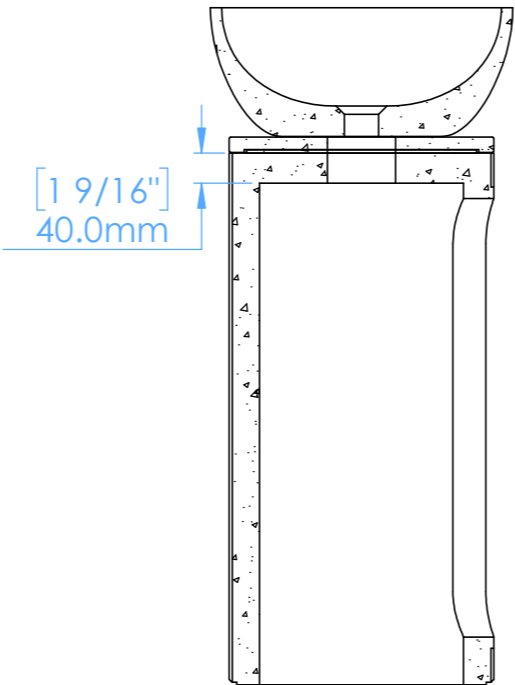
NOTES

Unless otherwise specified, dimensions are in millimeters.

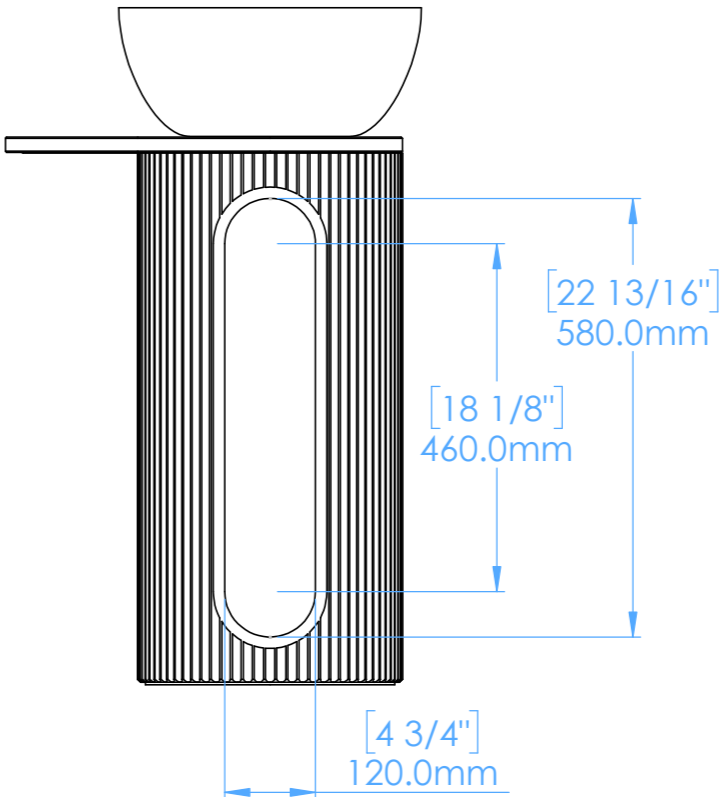
Kast take no responsibility for any dimensions obtained by scaling from this drawing.



Section A-A



Side View



DIMENSIONS:

L550mm (12 5/8inches)
W400mm (15 3/4inches)
H895mm (35 1/4inches)

CODE:	OMA1
WEIGHT:	95kg / 210lbs
BRACKETS:	N/A
DRAWN BY:	DB
TOLERANCE:	+/- 3mm