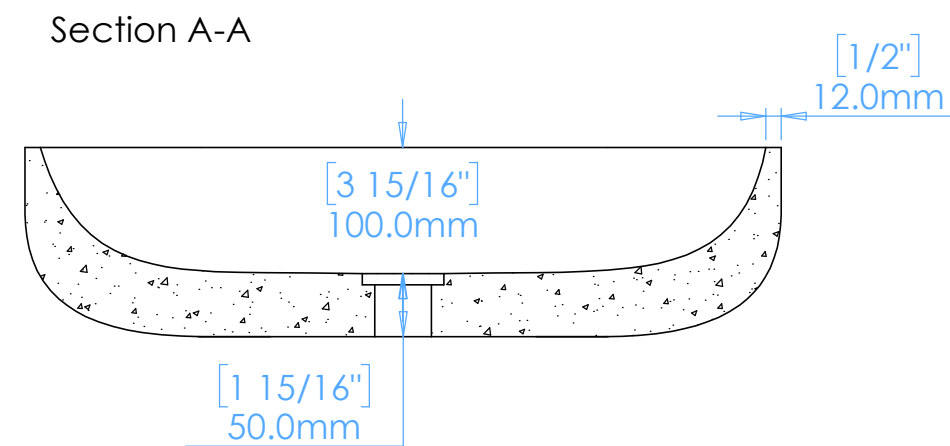
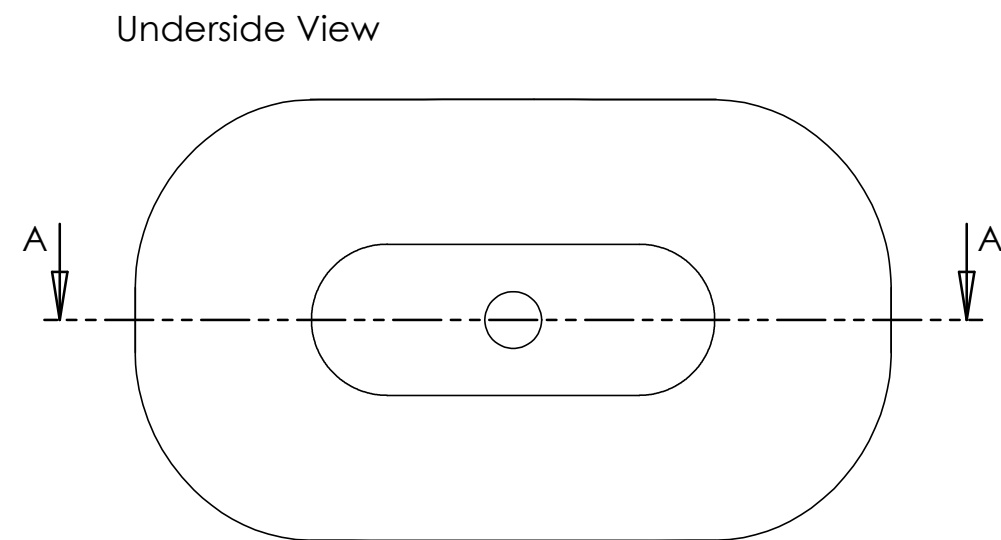
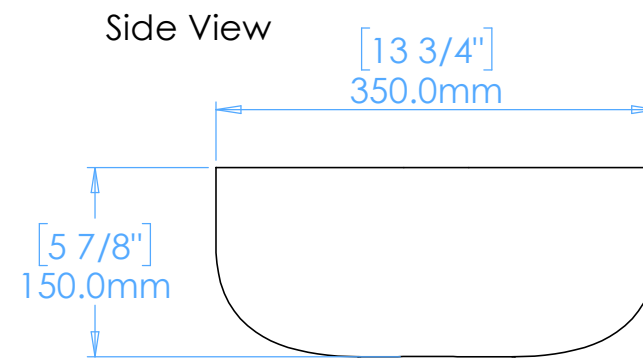
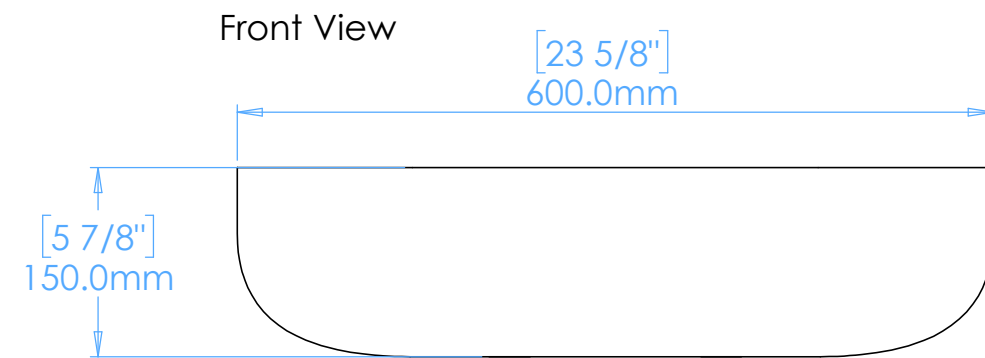
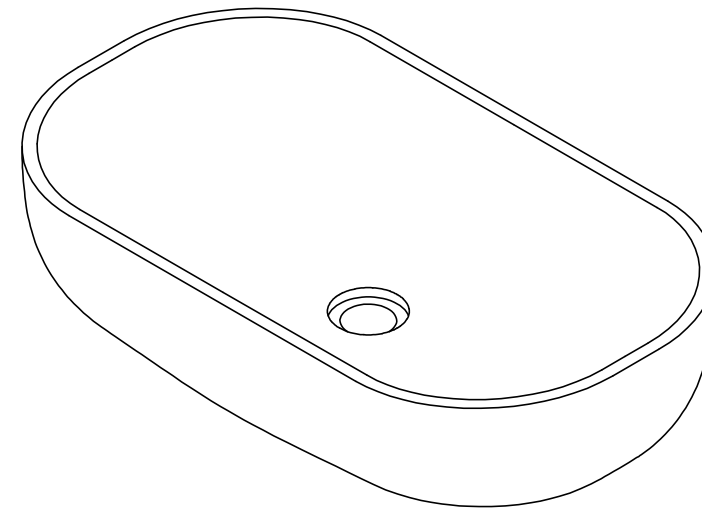
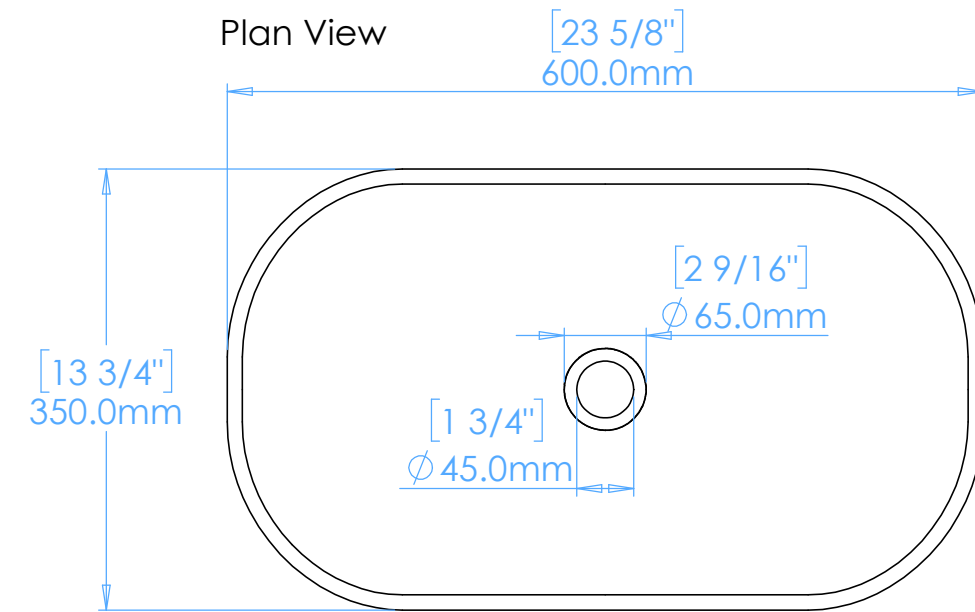


Rho A1

NOTES

Unless otherwise specified, dimensions are in millimeters.

Kast take no responsibility for any dimensions obtained by scaling from this drawing.



DIMENSIONS:

L600mm (23 5/8inches)
W350mm (13 3/4inches)
H150mm (5 7/8inches)

| | |
|------------|--------------|
| CODE: | RH.A1 |
| WEIGHT: | 39kg / 64lbs |
| BRACKETS: | Not Included |
| DRAWN BY: | DB |
| TOLERANCE: | +/- 3mm |