



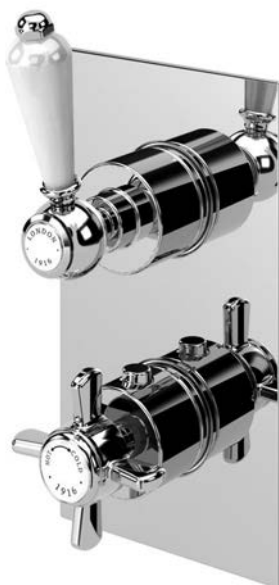
london

concealed dual outlet shower kit

including easybox installation

The London collection draws inspiration from the Edwardian era, blending the grandeur of Victorian design with the simplicity of Art Deco. The ceramic indices and levers feature a subtle cream crackle glaze, hand-finished in Staffordshire—a region known for skilled ceramics craftsmen. Combining traditional materials like brass and ceramic with modern innovations, the collection features the EasyBox system for hassle-free installation. Crafted in lead free brass, it reflects a commitment to efficiency, design, and sustainable production.

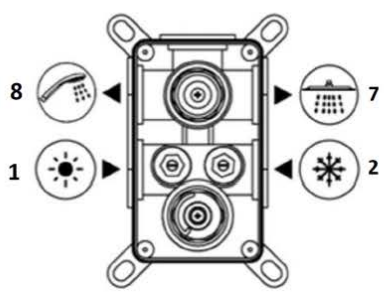
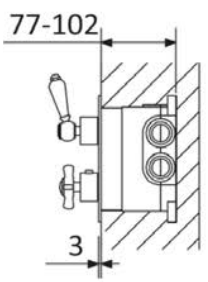
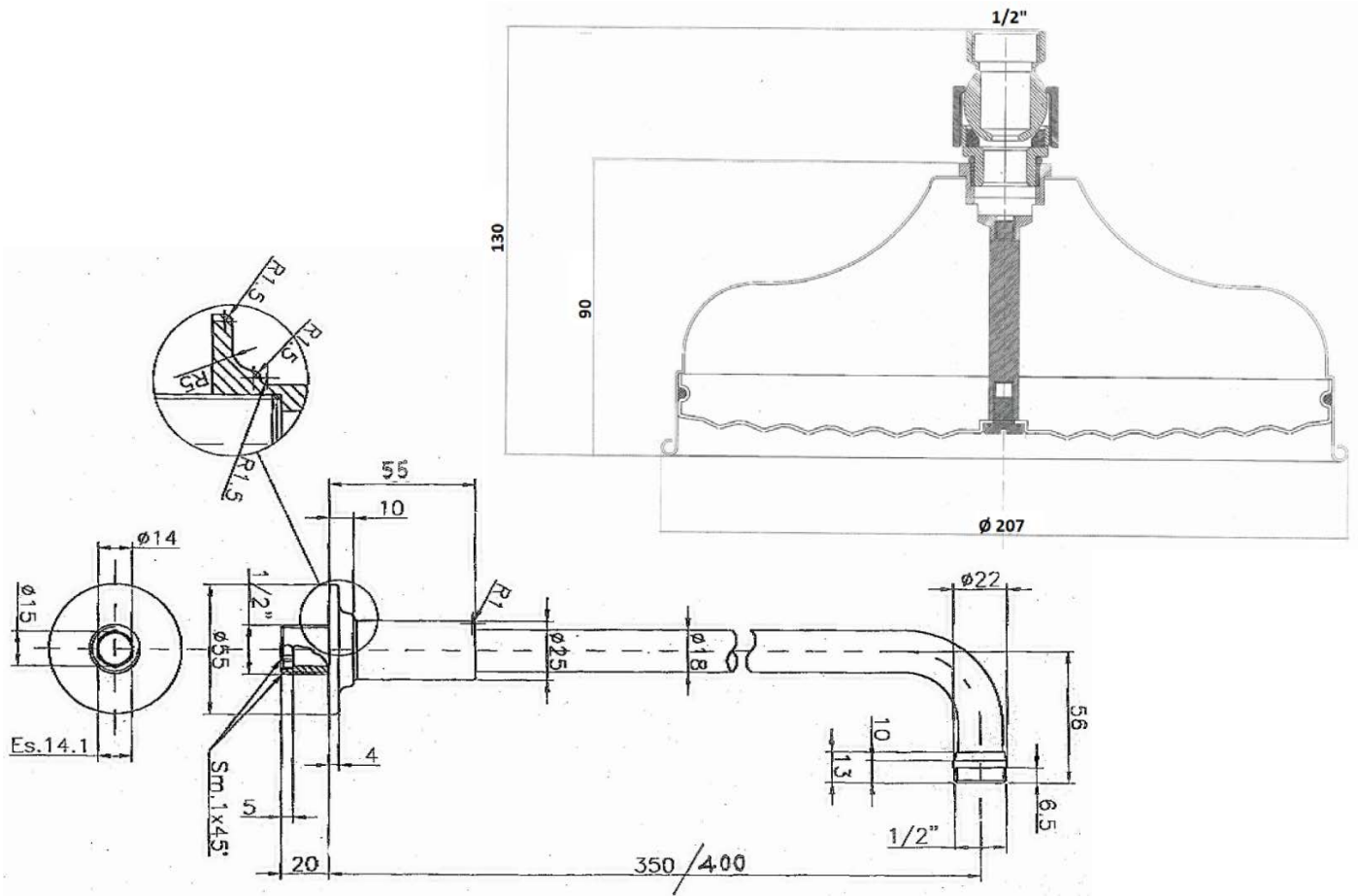
- | | |
|-------------|---|
| Shower rose | 200mm classic skirted |
| Shower arm | 400mm |
| Hand shower | inc slide rail, wall outlet, and metal hose |
| Valve | dual outlet |
| Finish | chrome, nickel |





london concealed dual outlet shower kit

including easybox installation



technical data

1. hot feed 3/4"
2. cold feed 3/4"
3. easy box
4. plaster guard & spirit level
5. thermostatic cartridge
6. diverter cartridge
7. outlet 1
8. outlet 2

