



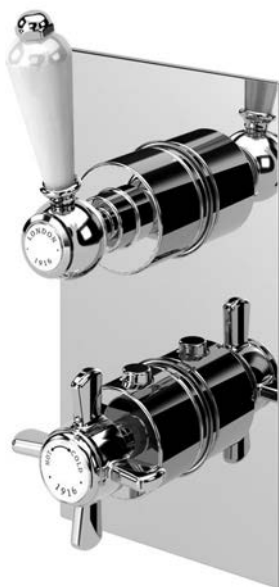
london

concealed triple outlet shower kit

including easybox installation

The London collection draws inspiration from the Edwardian era, blending the grandeur of Victorian design with the simplicity of Art Deco. The ceramic indices and levers feature a subtle cream crackle glaze, hand-finished in Staffordshire—a region known for skilled ceramics craftsmen. Combining traditional materials like brass and ceramic with modern innovations, the collection features the EasyBox system for hassle-free installation. Crafted in lead free brass, it reflects a commitment to efficiency, design, and sustainable production.

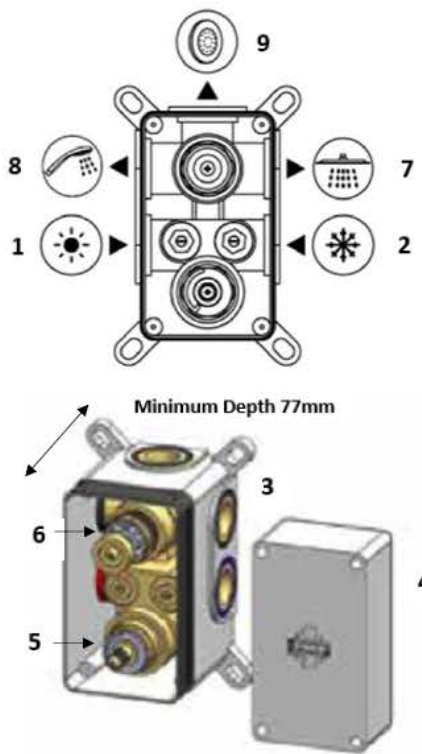
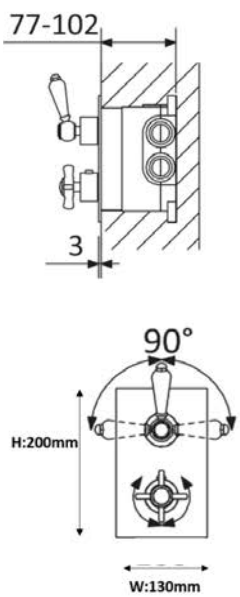
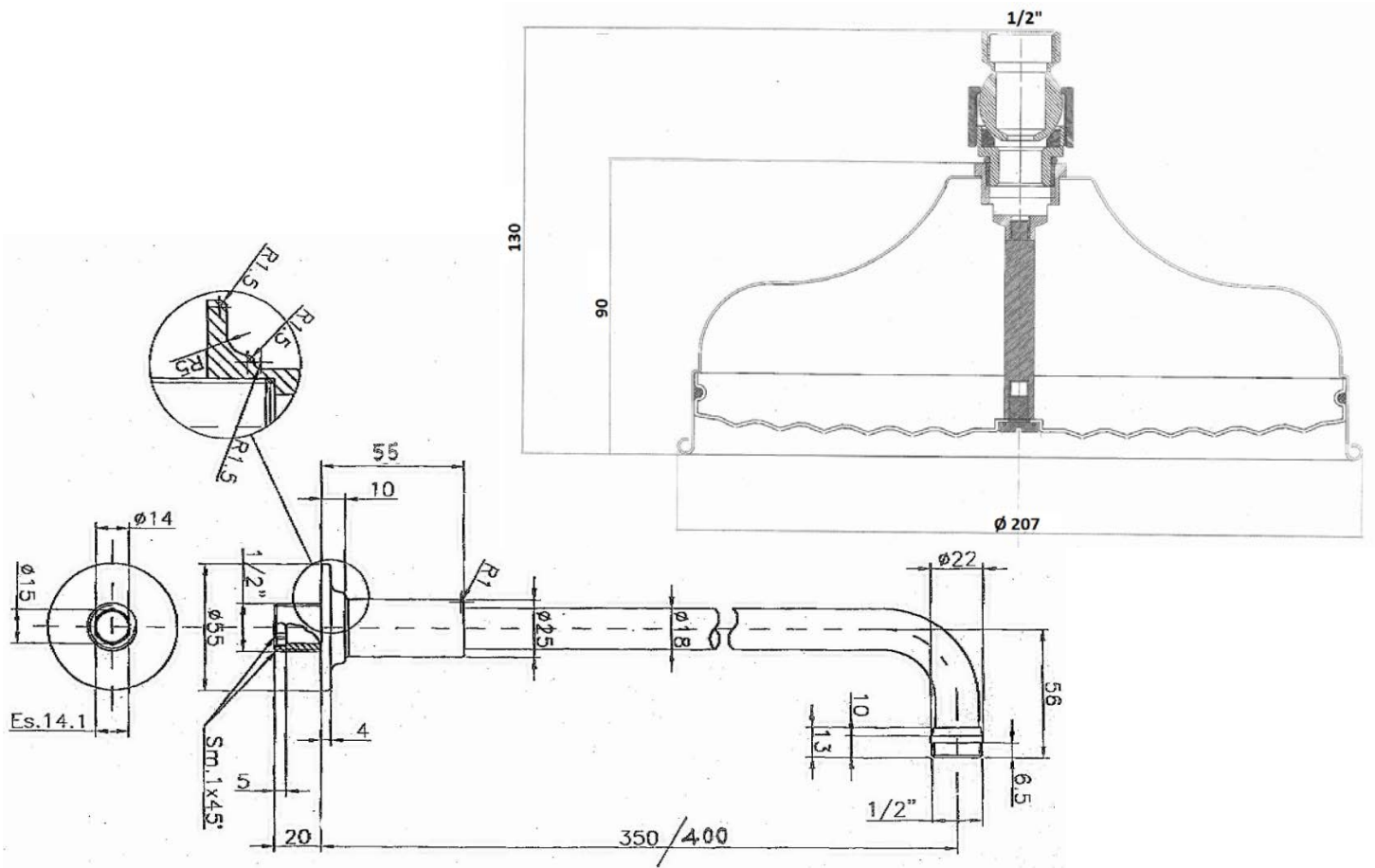
- | | |
|-------------|---|
| Shower rose | 200mm classic skirted |
| Shower arm | 400mm |
| Hand shower | inc wall outlet, slide rail, and metal hose |
| Valve | triple outlet |
| Waste | exfil with klik waste |
| Finish | chrome, nickel |



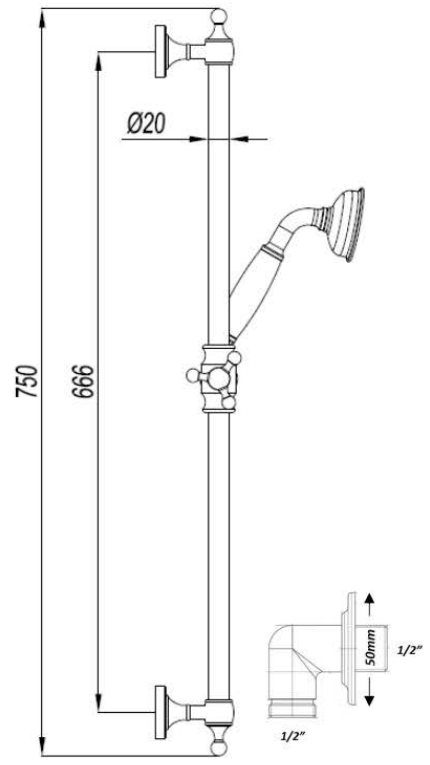


london concealed triple outlet shower kit

including easybox installation



- technical data**
1. hot feed 3/4"
 2. cold feed 3/4"
 3. easy box
 4. plaster guard & spirit level
 5. thermostatic cartridge
 6. diverter cartridge
 7. outlet 1
 8. outlet 2
 9. outlet 3



london concealed triple outlet shower kit

including easybox installation

